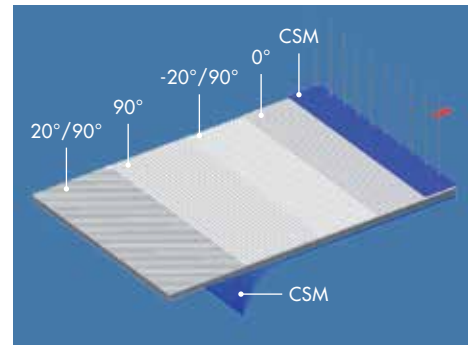


# G-PLY™



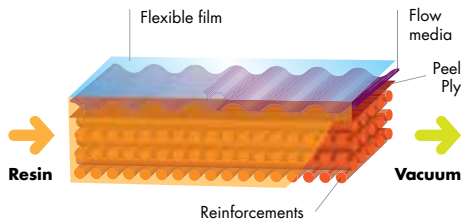
## DESCRIPTION

**G-PLY™** is a NCF (Non-Crimp Fabric) made up of unidirectional layers ( $0^\circ$ ,  $90^\circ$ ,  $\pm 45^\circ$ ) that are mechanically sewn together.

## PROCESS

**G-PLY™** properties are particularly suited to infusion processes with external flow mediums, which allows to obtain a high level of glass and to increase the mechanical performances of laminate.

**G-PLY™** can nevertheless be used in contact with, or in RTM (Resin Transfer Molding).



Infusions with external Flow mediums

## RANGE

<b>CONSTRUCTION</b>	uni, bi, tri or quadriaxial
<b>ANGLES</b>	$0^\circ/90^\circ/-20^\circ$ to $90^\circ$
<b>FIBERS</b>	glass, aramid, hybrid
<b>MAT WEIGHT</b>	50 to 1200 gsm
<b>WEIGHT</b>	up to 4000 gsm

## APPLICATIONS MARKETS

- Nautical
- Wind Energy Components
- Transportation
- Industrial parts

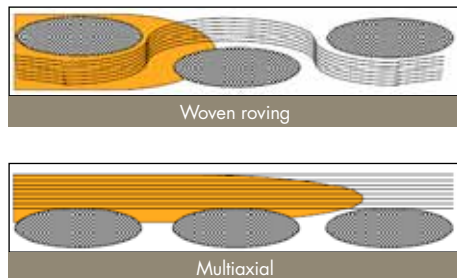
# G-PLY™

## ADVANTAGES

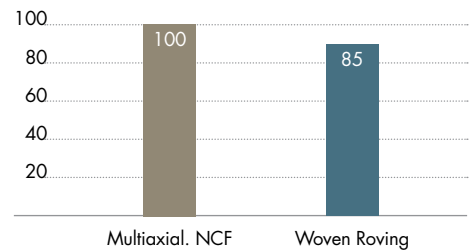
Compared to a fabric, the specific construction of **G-PLY™** based on the successive stacking of layers of yarn, without intertwinning, provides:

- Better mechanical properties, enabling:
  - a reduction in the weight of the laminate.
  - a reduction in costs.
- Optimised resin flow during infusion.
- Improved surface appearance:

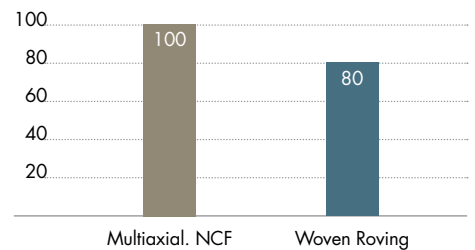
With the space between every yarn reduced, resin accumulation is restricted. During polymerisation, the resin thus contracts less, providing an improved surface appearance (reduced print-through).



- Malleable products: **G-PLY™** can be made even more malleable through adapted construction (stitching, gauge...).



**Interlaminar shear stress**  
Base 100: multiaxial NCF.  
Made in Infusion with equal glass weight



**3 point bending stress**  
Base 100: multiaxial NCF.  
Made in Infusion with equal glass weight

# CHOMARAT

[www.chomaraton.com](http://www.chomaraton.com)

**CHOMARAT  
Textiles Industries**  
39 avenue de Chabannes  
07160 Le Cheylard - FRANCE  
Phone: +33 4 75 29 81 00  
Fax: + 33 4 75 29 82 05

**CHOMARAT  
North Africa**  
ZI de Grombalia  
8030 Grombalia - TUNISIE  
Phone: +216 722 55 412  
Fax: +216 722 55 280

**CHOMARAT  
North America**  
2901 New Pond Road  
Anderson, SC 29624 - USA  
Phone: +1 864 328 1700  
Fax: +1 864 260 3364

**CHOMARAT  
Engineered Textiles**  
36 Qingdao East Road - Taicang  
215400, Jiangsu Province - PRC  
Phone: +86 512 53737001  
Fax: +86 512 53598908